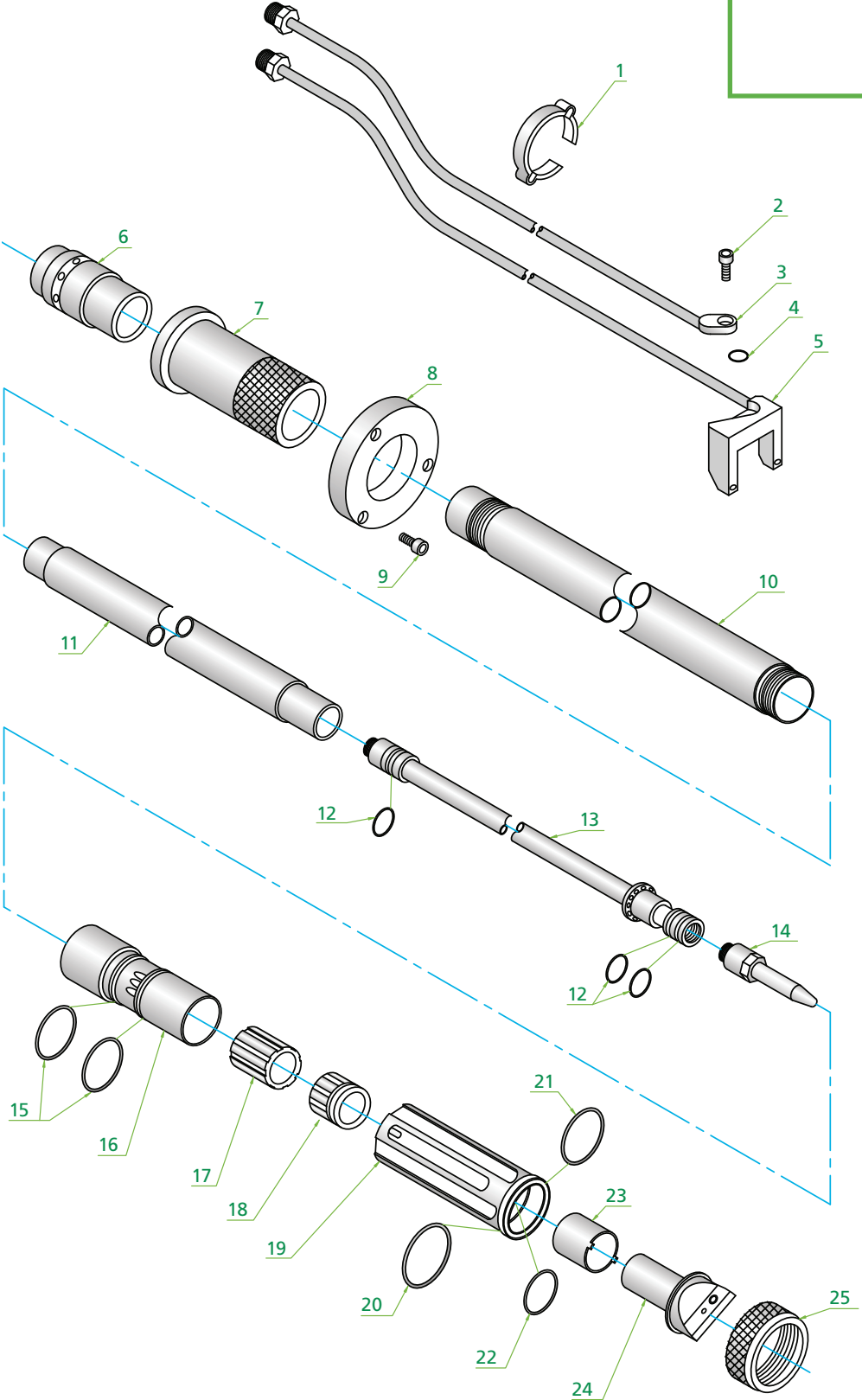
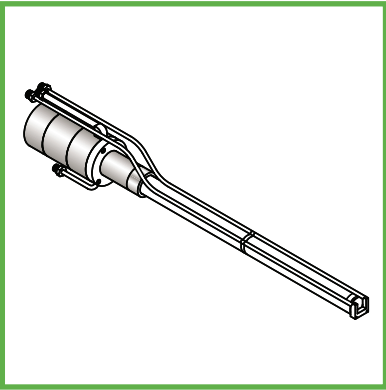


2086 SG-100 Plasma Gun Extension



| 2086 SG-100 PLASMA GUN EXTENSION | | | |
|---|-------------------|--------------------------------|---------------------------|
| Pos. | FST p/n | Product Description | OEM / Remark |
| | 307.200-01 | 2086 SG-100 extension, 12" | – |
| | 307.200-02 | 2086 SG-100 extension, 24" | – |
| | 307.201-01 | SG-100 with 12" 2086 extension | – |
| | 307.201-02 | SG-100 with 24" 2086 extension | – |
| 1 | 307.202 | Tube clips | 2084-95 |
| 2 | 307.223 | Screw | – |
| 3 | 307.203-01 | Powder tube assembly, 12" | 2084A-83-12 |
| | 307.203-02 | Powder tube assembly, 24" | 2084A-83-24 |
| 4 | 307.048 | O-Ring, 006S | 2-006S |
| 5 | 307.204-01 | Tube, air cap assembly, 12" | 2084A-85-12 |
| | 307.204-02 | Tube, air cap assembly, 24" | 2084A-85-24 |
| 6 | 307.205 | Insulator, rear | 2084A-70 |
| 7 | 307.206-01 | Collar, locking | 2084-82 |
| 8 | 307.207 | Plate, front | 2084-81 |
| 9 | 307.224 | Screw | – |
| 10 | 307.208-01 | Tube, outside, 12" | 2084A-74-12 |
| | 307.208-02 | Tube, outside, 24" | 2084A-74-24 |
| 11 | 307.209-01 | Tube, divider, 12" | 2084A-75-12 |
| | 307.209-02 | Tube, divider, 24" | 2084A-75-24 |
| 12 | 307.210 | O-Ring, 013S | 2-013S |
| 13 | 307.211-01 | Cathode holder extension, 12" | 2084A-76-12 |
| | 307.211-02 | Cathode holder extension, 24" | 2084A-76-24 |
| 14 | 307.025 | Cathode, sub-sonic | 3083-129, for SG-100/2086 |
| 15 | 307.212 | O-Ring, 019S | 2-019S |
| 16 | 307.213 | Gun housing, middle | 2084B-100 |
| 17 | 307.214 | Gas distributor | 2084B-102 |
| 18 | 307.215 | Gas injector | 2084B-103 |
| 19 | 307.216 | Water divider, outer | 2084B-101 |
| 20 | 307.066 | O-Ring, 022S | 2-022S |
| 21 | 307.217 | O-Ring, 021S | 2-021S |
| 22 | 307.065 | O-Ring, 017S | 2-017S |
| 23 | 307.218 | Tube divider | 2084-77 |
| 24 | 307.219-01 | Anode, 45 deg. | 2084-F45 |
| | 307.219-02 | Anode, 60 deg. | 2084-F60 |
| 25 | 307.220 | Ring, locking, anode | 2084-80 |
| OTHERS | | | |
| | 307.221 | O-Ring kit for 2086 plasma gun | – |



Flame Spray Technologies

Flame Spray Technologies b.v.
THE NETHERLANDS (Head Office)
Tel: +31 26 3190140
Fax: +31 26 3190141
E-mail: info@fst.nl

Flame Spray Technologies Ltd.
UNITED KINGDOM
Tel: +44 2921 660511
Fax: +44 2921 660811
E-mail: uk@fst.nl

Flame Spray Technologies
FRANCE
Tel: +33 6 6047 9051
Fax: +31 26 3290141
E-mail: france@fst.nl

Flame Spray Technologies
SPAIN
Tel: +34 608 986 570
Fax: +31 26 3290141
E-mail: spain@fst.nl

Flame Spray Technologies, Inc.
UNITED STATES
Tel: +1 616 9882622
Fax: +1 616 9882629
E-mail: info@fstincusa.com

Flame Spray Technologies
MIDDLE EAST
Tel: +971 50 6171749
Fax: +971 439 473 54
E-mail: fstme@emirates.net.ae

Flame Spray Technologies Pte Ltd.
SINGAPORE
Tel: +65 644 982 38
E-mail: info@fst.sg

**THE POWER OF
PARTNERSHIP**

www.fst.nl