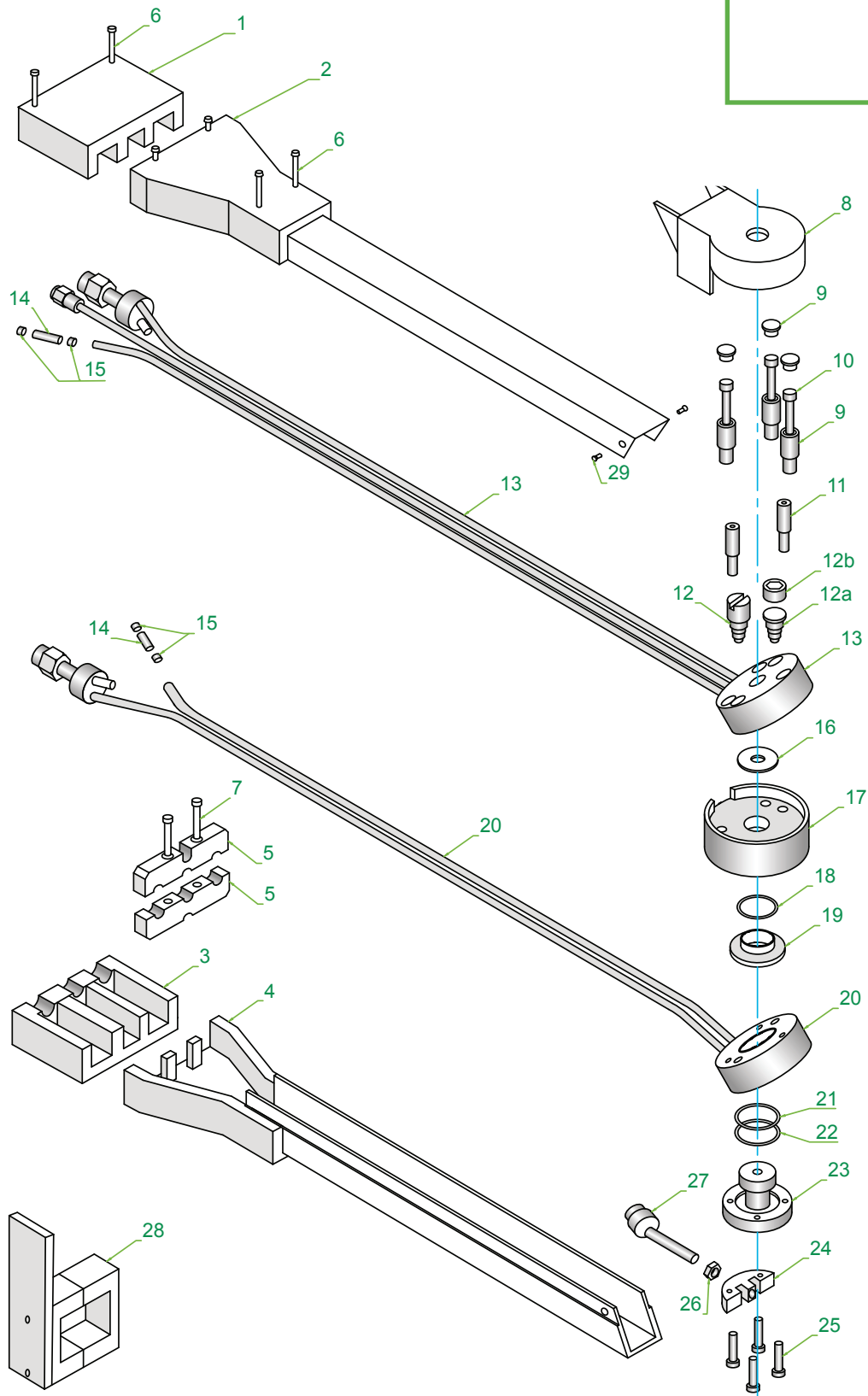
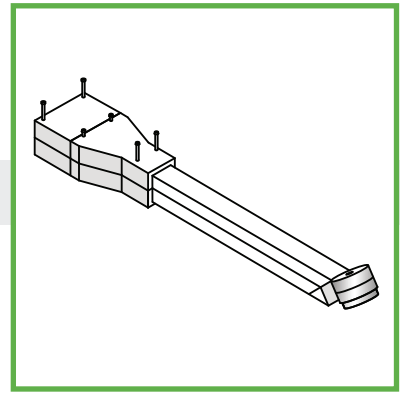
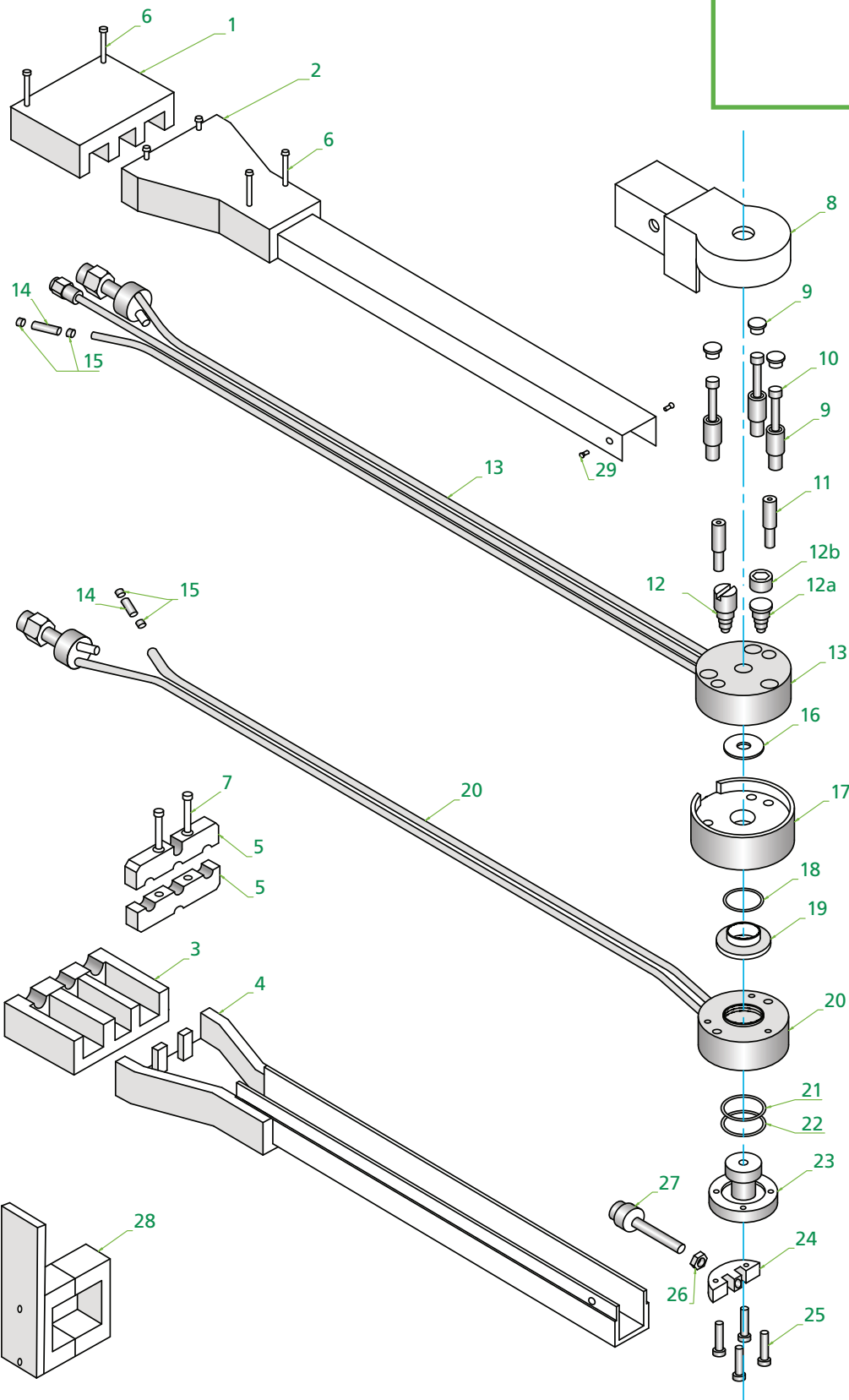
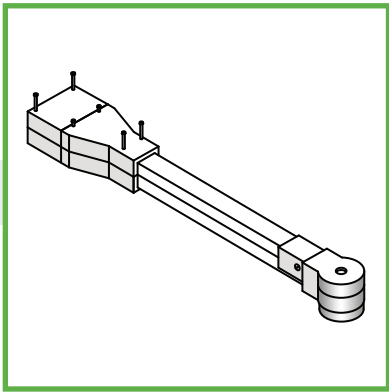


F1-45° Plasma Gun



F1-45° / F1-90° PLASMA GUNS			
Pos.	FST p/n	Product Description	OEM / Remark
	301.000-01	F1-45 Gun	344000
	301.000-02	F1-90 Gun	340000
1,2,3,4	301.001-01	Shells complete for F1-45 gun	344011, for F1-45 Gun
	301.001-02	Shells complete for F1-90 gun	340011, for F1-90 Gun
5	301.006	Holder	340015
6	301.028	Socket head cap screw	for F1 gun shells
7	301.029	Socket head cap screw for holder	for F1 gun holder
8	301.002-01	Cover	344012, for F1-45 Gun
	301.002-02	Cover	340012, for F1-90 Gun
9	301.007	Insulating sleeves and covers	340005
10	301.008	Screw, M3x16	300146
11	301.009	Centering pin	340060
12	301.010-02	Electrode, screw type	340001
12a	301.010-01	Electrode, plug type	343001
12b	301.011	Screw for electrode	343010
13	301.012-01	Rear section complete	344010, for F1-45 gun
	301.012-02	Rear section complete	340010, for F1-90 gun
14	301.005	Connecting hose	300138
15	301.004	Connecting hose clamp	300137
16	301.013	Gas distribution ring	340020
17,18,19	301.014-00	Intermediate section complete	344017-00
20	301.015-01	Front section	344009, for F1-45 Gun
	301.015-02	Front section	340009, for F1-90 Gun
21	301.016	O-Ring, 18 x 2 mm	343007
22	301.017	O-Ring, 19 x 1.5 mm	340008
23	301.018	Nozzle, 5 mm	340002
	301.019	Nozzle, 6 mm	343002
	301.020	Nozzle, 7 mm	–
24	301.022	Injector support standard	340050
25	301.023	Nozzle screws, M3x10	300147
26	301.021	Locknut, M5	300144
27	380.001	Powder injector 1.5 mm	300019
	380.002	Powder injector 1.8 mm	300020
	380.003	Powder injector 2.0 mm	300021
	380.004	Powder injector 1.5 mm	344019, bent

F1-90° Plasma Gun



F1-45° / F1-90° PLASMA GUNS			
Pos.	FST p/n	Product Description	OEM / Remark
	380.005	Powder injector 1.8 mm	344020, bent
	380.006	Powder injector 2.0 mm	344021, bent
28	301.024	Gun holder complete	340016
29	301.003	Screws, M3x6	300148
OTHERS			
	301.014-00	Intermediate section complete	344017-00, incl. 301.014-01, -02, -03
	301.025-01	Nozzle/Electrode/O-Ring set, 5 mm, plug type	340003-05
	301.025-02	Nozzle/Electrode/O-Ring set, 5 mm, screw type	340003-05
	301.026-01	Nozzle/Electrode/O-Ring set, 6 mm, plug type	343003-06
	301.026-02	Nozzle/Electrode/O-Ring set, 6 mm, screw type	343003-06
	301.027-01	Nozzle/Electrode/O-Ring set, 7 mm, plug type	–
	301.027-02	Nozzle/Electrode/O-Ring set, 7 mm, screw type	–
CABLES, HOSES, FITTINGS			
	380.022-01	Plasma gun power cable set	for F1/F4 gun, length 5 m
	380.020-01	Plasma gun power cable (negative)	for F1/F4 gun, length 5 m
	380.021-01	Plasma gun power cable (positive)	for F1/F4 gun, length 5 m
	380.023-01	Plasma gas hose	for F1/F4 gun, length 5 m
	380.022-02	Plasma gun power cable set	for F1/F4 gun, length 6 m
	380.020-02	Plasma gun power cable (negative)	for F1/F4 gun, length 6 m
	380.021-02	Plasma gun power cable (positive)	for F1/F4 gun, length 6 m
	380.023-02	Plasma gas hose	for F1/F4 gun, length 6 m
	500.001	Powder feed hose	–
	500.021	Powder feed hose screw fitting	for powder hose 500.001
	500.032-01	4MP Powder Hose (15ft)	
	500.032-02	4MP Powder Hose (20ft)	
	500.032-03	4MP Powder Hose (30ft)	
	500.032-05	4MP Powder Hose Orange(15ft)	
	500.032-06	4MP Powder Hose Orange(25ft)	
		Other lengths available on request	



Flame Spray Technologies

Flame Spray Technologies b.v.
THE NETHERLANDS (Head Office)
Tel: +31 26 3190140
Fax: +31 26 3190141
E-mail: info@fst.nl

Flame Spray Technologies Ltd.
UNITED KINGDOM
Tel: +44 2921 660511
Fax: +44 2921 660811
E-mail: uk@fst.nl

Flame Spray Technologies
FRANCE
Tel: +33 6 6047 9051
Fax: +31 26 3290141
E-mail: france@fst.nl

Flame Spray Technologies
SPAIN
Tel: +34 608 986 570
Fax: +31 26 3290141
E-mail: spain@fst.nl

Flame Spray Technologies, Inc.
UNITED STATES
Tel: +1 616 9882622
Fax: +1 616 9882629
E-mail: info@fstincusa.com

Flame Spray Technologies
MIDDLE EAST
Tel: +971 50 6171749
Fax: +971 439 473 54
E-mail: fstme@emirates.net.ae

Flame Spray Technologies Pte Ltd.
SINGAPORE
Tel: +65 644 982 38
E-mail: info@fst.sg

**THE POWER OF
PARTNERSHIP**

www.fst.nl