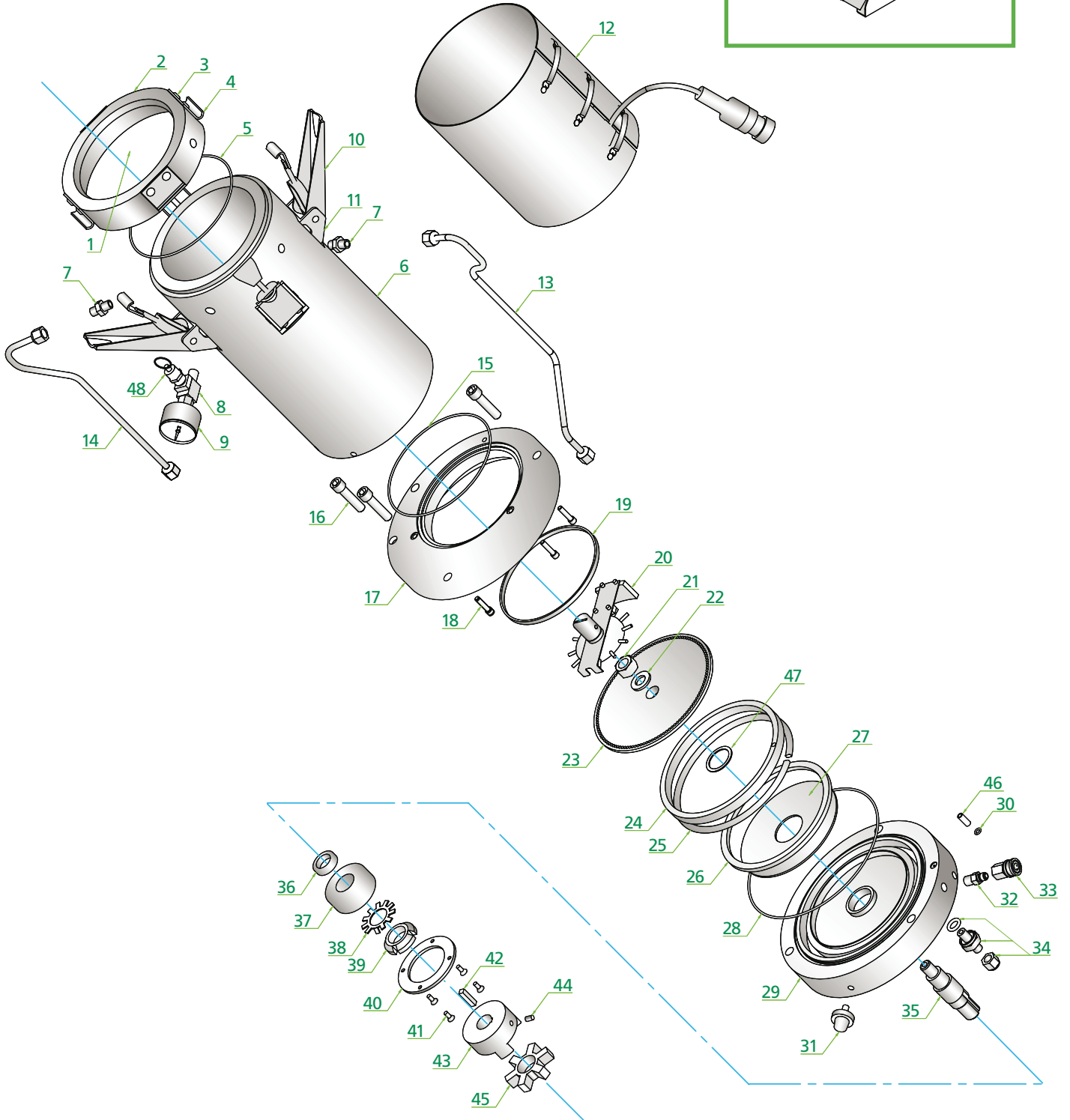
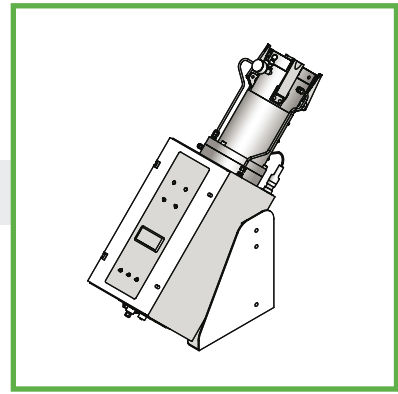


PF-50 Powder feeder



PF-50 Powder feeder			
Pos.	FST p/n	Product Description	OEM / Remark
	209.000	PF-50 Powder Feeder	861000142
1	209.009	Powder feeder canister window	841250152
2	209.012	Window ring	841270101
3	209.138	Screw, BTN HD, 10-32 x 0.375 LG	886000209
4	209.079	Strike, Canister latch	881270403
5	209.181	O-ring, B, 250	886000107
6	209.013	Canister	841270102
7	209.044	Fitting, Tube STR, 1/4" Tube x 1/8" MPT, SST	881000334
8	209.018	Valve, pop off, 90 psi	880000148
9	209.050	Gauge, 2", 1/8" CBM, Dual scale 30-0-160 PSI	881000340
10	209.078	Canister latch	881270402
11	209.138	Screw, BTN HD, 10-32 x 0.375 LG	886000209
12	209.099	Heater blanket, Std.	840000437
13	209.083	Tube, Pressure relief	840000430
14	209.014	Tube, Pressure balance	840000429
15	209.179	O-ring, B, 159	886000105
16	209.133	Screw, SHCS, 3/8-16 x 1.50 LG	886000204
17	209.010	Upper housing	841250512
18	209.134	Screw, SHCS, 10-32 x 0.75	886000205
19	209.023	Wiper ring	880015910
20	209.005	Tamper assembly	841250044
21	209.017	Nut, hex jam, 1/2-13 SST	886000217
22	209.081	Washer, flat, 1/2", SST 316	886000221
23	209.073	Powder wheel, Std. slotted (Comes W/ STD	881250109
	209.073-1	Powder wheel, 120 hole	881250120
	209.073-2	Powder wheel, Std. slotted	881250141
	209.073-3	Powder wheel, 240 Hole	881250240
	209.073-4	Powder wheel, High volume feed	881253109
	209.073-5	Powder wheel, 320 Hole	881250320
24	209.007	Surface Ring	841250106
25	209.072	Ring, Back up	881250108
26	209.074	Felt ring	881250114
27	209.075	Ring, felt pad	881250308
28	209.180	O-ring, B, 164	886000106
29	209.011	Lower housing	841250520
30	209.182	O-ring, 008S	886000108
31	209.093	Bumper, rubber, 1/4-20 x 0.500	881000378
32	209.021	Fitting, Coupling, 1/8" MPT x Plug quick	880000369

PF-50 Powder feeder			
Pos.	FST p/n	Product Description	OEM / Remark
33	209.020	Fitting, Coupling, 1/8" FPT x Socket quick	880000368
34	209.049	FTG, Tube STR, 1/4 Tube x 7/16-20 W/O-ring,	881000339
35	209.076	Feeder Drive shaft	881250515
36	209.167	Quad ring Q-4022	886000020
37	209.015	Bearing, lower housing	880000067
38	209.019	Washer, locking, feeder drive shaft	880000153
39	209.016	Feeder drive shaft nut	880000146
40	209.006	Bearing retainer plate	841250105
41	209.142	Screw, FHSCS, 8-32 x 0.375 LG, Zinc plated	886000213
42	209.085	LoveJoy coupling spider	881000330
43	209.086	LoveJoy coupling, 0.625 Dia shaft	881000328
44	209.082	Key, 0.187 x 0.187 x 1.0 Long	886000251
45	209.087	LoveJoy coupling, 0.75 Dia shaft	881000329
46	209.008	Powder port sleeve	841250107
47	209.080	Ring, barrier (felt)	881224107
48	209.043	Fitting, Street tee, 1/8", Brass	881000333
	209.156	Maintenance ring kit	881251113
	209.077	O-Ring kit for powder feeder	881251102



Flame Spray Technologies

Flame Spray Technologies b.v.
THE NETHERLANDS (Head Office)
Tel: +31 26 3190140
Fax: +31 26 3190141
E-mail: info@fst.nl

Flame Spray Technologies Ltd.
UNITED KINGDOM
Tel: +44 2921 660511
Fax: +44 2921 660811
E-mail: uk@fst.nl

Flame Spray Technologies
FRANCE
Tel: +33 6 6047 9051
Fax: +31 26 3290141
E-mail: france@fst.nl

Flame Spray Technologies
SPAIN
Tel: +34 608 986 570
Fax: +31 26 3290141
E-mail: spain@fst.nl

Flame Spray Technologies, Inc.
UNITED STATES
Tel: +1 616 9882622
Fax: +1 616 9882629
E-mail: info@fstincusa.com

Flame Spray Technologies
MIDDLE EAST
Tel: +971 50 6171749
Fax: +971 439 473 54
E-mail: fstme@emirates.net.ae

Flame Spray Technologies Pte Ltd.
SINGAPORE
Tel: +65 644 982 38
E-mail: info@fst.sg

www.fst.nl

**THE POWER OF
PARTNERSHIP**