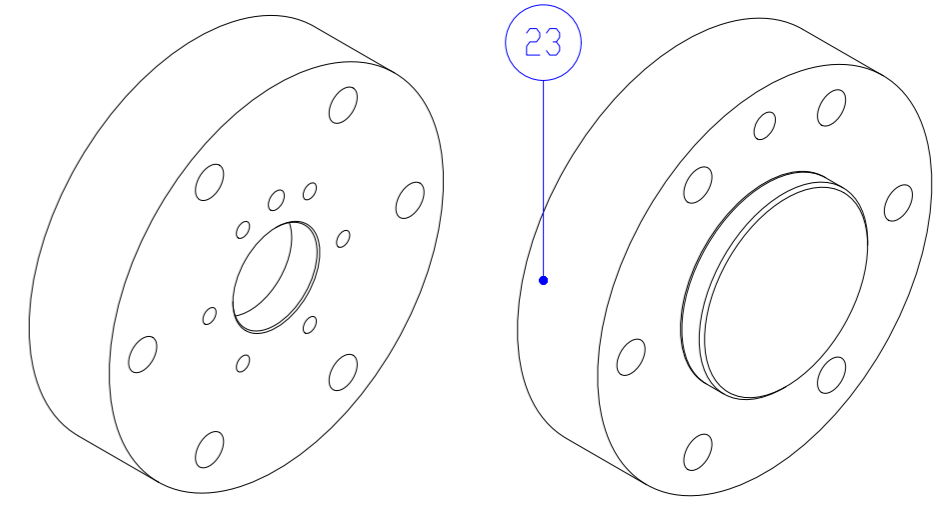


Reducer robot ABB IRB 4600 to IRB 2600
adapter side robot side



ITEM NO.	QTY.	PART NUMBER	DESCRIPTION
1	1	259.001	Robot Intermediate Insulator
2	1	259.002	Robot Intermediate Connector
3	1	259.003	Robot Intermediate Extension L=100
4	1	259.004	Robot Intermediate Extension L=200
5	1	259.050	Robot Fixplate 9MB Gun
6	1	259.051	Robot Fixplate JP5000 Gun
7	1	259.052	Robot Fixplate F1 Gun
8	1	259.053	Robot Holder F1 Gun
9	1	259.054	Robot Holder F4 Guns DD (2021)
10	1	259.055	Robot Fixplate 3MB Gun
11	1	259.056	Robot Fixplate 3MBT Gun
12	1	259.057	Robot Holder 3MBT Gun

ITEM NO.	QTY.	PART NUMBER	DESCRIPTION
13	1	259.058	Robot Fixplate SG100 Gun
14	1	259.059	Robot Holder SG100 Gun
15	1	259.060	Robot Fixplate 2086+2700 (SG100)
16	1	259.061	Robot Fixplate Ethanol Gun
17	1	259.062	Robot Fixplate DJ2600+2700 Gun
18	1	259.063	Robot Fixplate Cascade Gun (2019)
19	1	259.064	Robot Fixplate 3MBT Gun (2019)
20	1	259.065	Robot Fixplate F4 Guns ID (2019)
21	1	259.101	Robot Adapter ABB-IRB2400+2600
22	1	259.151	Robot Adapter Motoman-HP20D
23	1	259.---	Robot reducer 4600 > 2600

Rev	Date	Drawn	Description	Checked	Approved
A	2019-06-12	SB	Toegevoegde fixplates 18, 19 en 20		
B	2021-09-01	SB	Fixplate 9 (F4 OD) aangepast, adapterplaat voor ABB IRB 4600 toegevoegd		

Overzicht fixplates en holders

Description : -

Project : N/A

Customer : Flamespray Technologies

Phase : FINAL DESIGN

Drawing Nr : 259.000_Overview (rev.A)

This document is produced by Flamespray Technologies. It is not allowed to copy, publish or reproduce without written permission of Flamespray Technologies

Size : A2

Scale : 1:2

Drawn : HvD

Date : 2012-06-01

Sheet : 1 / 1