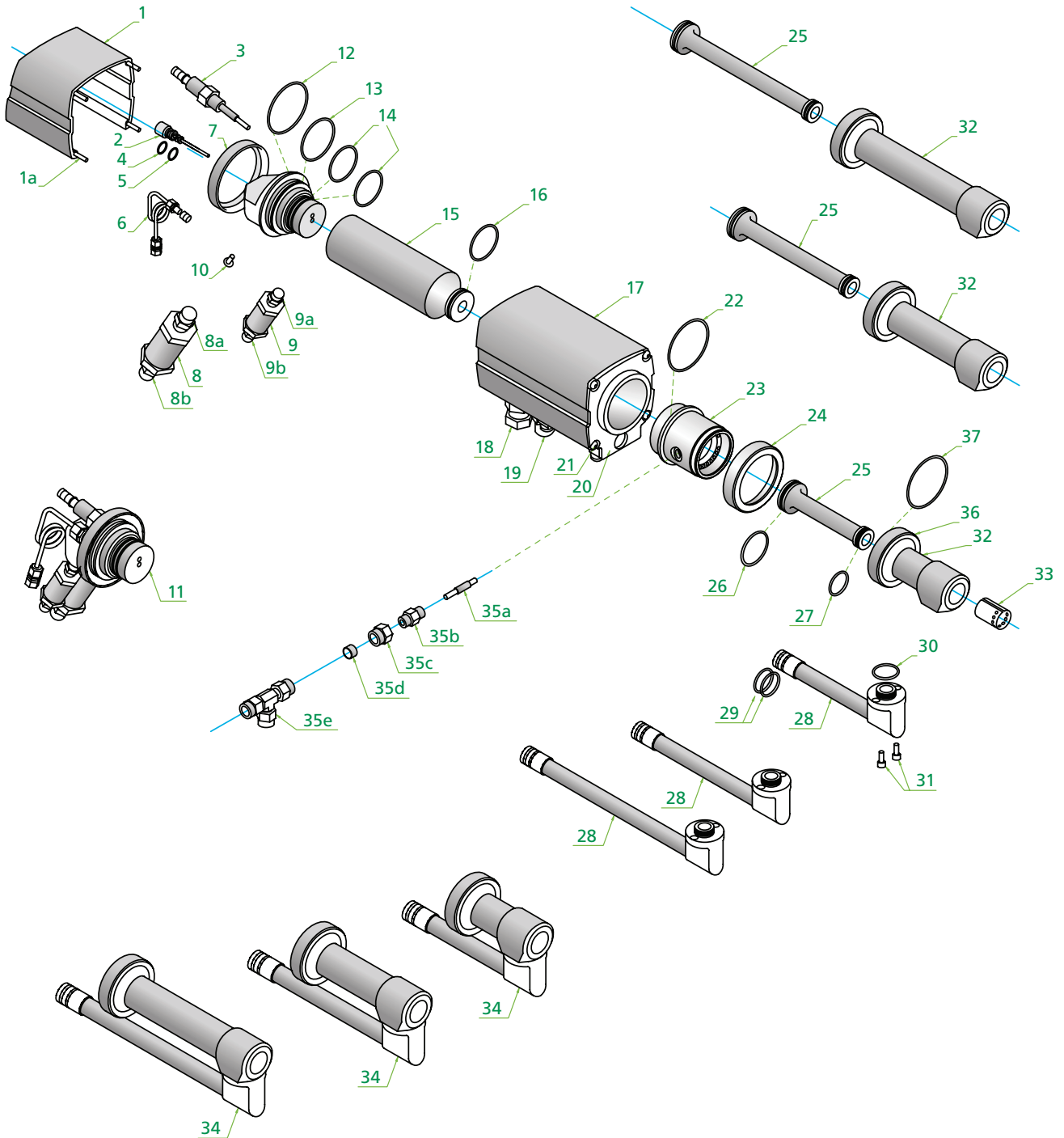
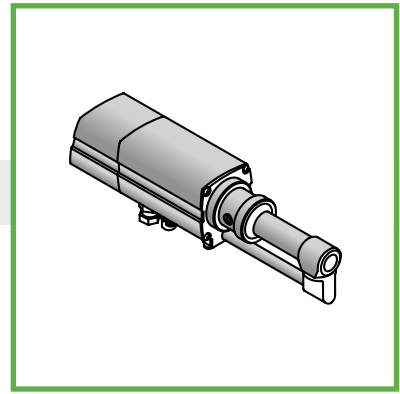


JP-5000 HVOF Gun



JP-5000 HVOF GUN			
Pos.	FST p/n	Product Description	OEM / Remark
	310.000-01	JP 5000 HP/HVOF Gun	including 4"/6"/8" barrel assembly
	310.000-02	JP 5000 HP/HVOF Gun	including 4" barrel assembly
1	310.062	Rear cover	450926
1a	310.004	Rear cover dowel pin	200596
2	310.082	Coaxial fuel tube assembly	600464
3	310.074	Spark plug assembly	600408
4	310.025	O-Ring, coaxial fuel tube, rear	230013
5	310.034	O-Ring, coaxial fuel tube, front	230248
6	310.086	Combustion pressure tube assembly	600628
7	310.045	Nut, stabilizer to water jacket	450780
8	310.103	Oxygen check valve	410165
8a	310.010	Nipple, 1/4" Oxygen check valve to stabilizer	5000236
8b	310.013	Adapter, 1/4" NPT	210145
9	310.042	Fuel check valve	410113
9a	310.009	Nipple, 1/8" Fuel check valve to stabilizer	210077
9b	310.007	Adapter 1/8" NPT	210010
10	310.005	Screw, ground cable	200816
11	310.069	Coaxial stabilizer assembly	600392
12	310.030	O-Ring, stabilizer, back	230094
13	310.101	O-Ring, comb. chamber to stab. spacer	230059
14	310.033	O-Ring, stabilizer, front	230212
15	310.060	Combustion chamber	450924
16	310.031	O-Ring, combustion chamber	230209
17	310.058	Water jacket	450879
18	310.018	Fitting, swivel, water in, 3/8" MNPT	210359
19	310.017	Fitting, water out	210358
20	310.063	Front cover plate	-
21	310.002	Screw, front cover plate	200063
22	310.102	O-Ring, interconnector	230092
23	310.059	Interconnector	450922
24	310.044	Nut, interconnector to water jacket	450779
25	310.078	4" Barrel w/O-Rings	600460
	310.079	6" Barrel w/O-Rings	600461
	310.080	8" Barrel w/O-Rings	600462

JP-5000 HVOF GUN			
Pos.	FST p/n	Product Description	OEM / Remark
26	310.032	O-Ring, barrel, back	230211
27	310.035	O-Ring, barrel, front	230261
28	310.052	4" Water return tube	450869
	310.053	6" Water return tube	450870
	310.054	8" Water return tube	450871
29	310.026	O-Ring, water return tube to water jacket	230027
30	310.100	O-Ring, water return tube/barrel holder	230046
31	310.003	Screw, water return to barrel holder	200418
32	310.047	4" Barrel holder	450863
	310.048	6" Barrel holder	450864
	310.049	8" Barrel holder	450865
33	310.065	Water baffle	450936
34	310.070	4" Barrel assembly	600401
	310.071	6" Barrel assembly	600402
	310.072	8" Barrel assembly	600403
35a	310.061-01	Feed tube insert	450925
35b	310.091-01	Fitting, powder port 1/4"	620180
35c	310.019	Nut, 1/4" tube	210364
35d	310.008	Ferrule, plastic, 1/4" tube	210042
35e	310.016	Powder feed splitter	210286
36	310.043	Nut, barrel holder to interconnector	450778
37	310.029	O-Ring, barrel holder	230086
OTHERS			
	310.107	2.5" Barrel w/O-Ring	600480
	310.081	12" Barrel w/O-Rings	600463
	310.106	2.5" Barrel assembly	600479
	310.073	12" Barrel assembly	600404
CABLES AND HOSES			
	310.094-01	Hose & cable set, 20 ft	800386-20
	310.094-02	Hose & cable set, 30 ft	800386-30
	310.094-03	Hose & cable set, 50 ft	800386-50
	113.269	Tubing 1/4"	220021
	113.273	Tubing, 1/8" OD, comb. chamber pressure	220098



Flame Spray Technologies

Flame Spray Technologies b.v.
THE NETHERLANDS (Head Office)

Tel: +31 26 3190140
Fax: +31 26 3190141
E-mail: info@fst.nl

Flame Spray Technologies Ltd.
UNITED KINGDOM

Tel: +44 2921 660511
Fax: +44 2921 660811
E-mail: uk@fst.nl

Flame Spray Technologies
FRANCE

Tel: +33 6 6047 9051
Fax: +31 26 3290141
E-mail: france@fst.nl

Flame Spray Technologies
SPAIN

Tel: +34 608 986 570
Fax: +31 26 3290141
E-mail: spain@fst.nl

Flame Spray Technologies, Inc.
UNITED STATES

Tel: +1 616 9882622
Fax: +1 616 9882629
E-mail: info@fstincusa.com

Flame Spray Technologies
MIDDLE EAST

Tel: +971 50 6171749
Fax: +971 439 473 54
E-mail: fstme@emirates.net.ae

Flame Spray Technologies Pte Ltd.
SINGAPORE

Tel: +65 644 982 38
E-mail: info@fst.sg

**THE POWER OF
PARTNERSHIP**

www.fst.nl